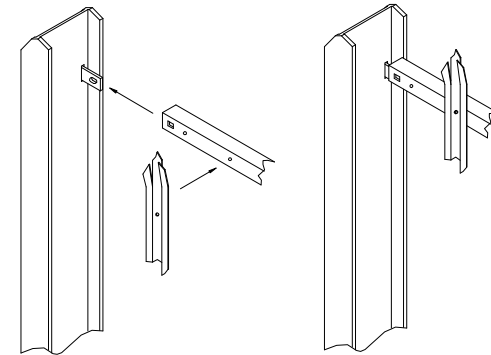
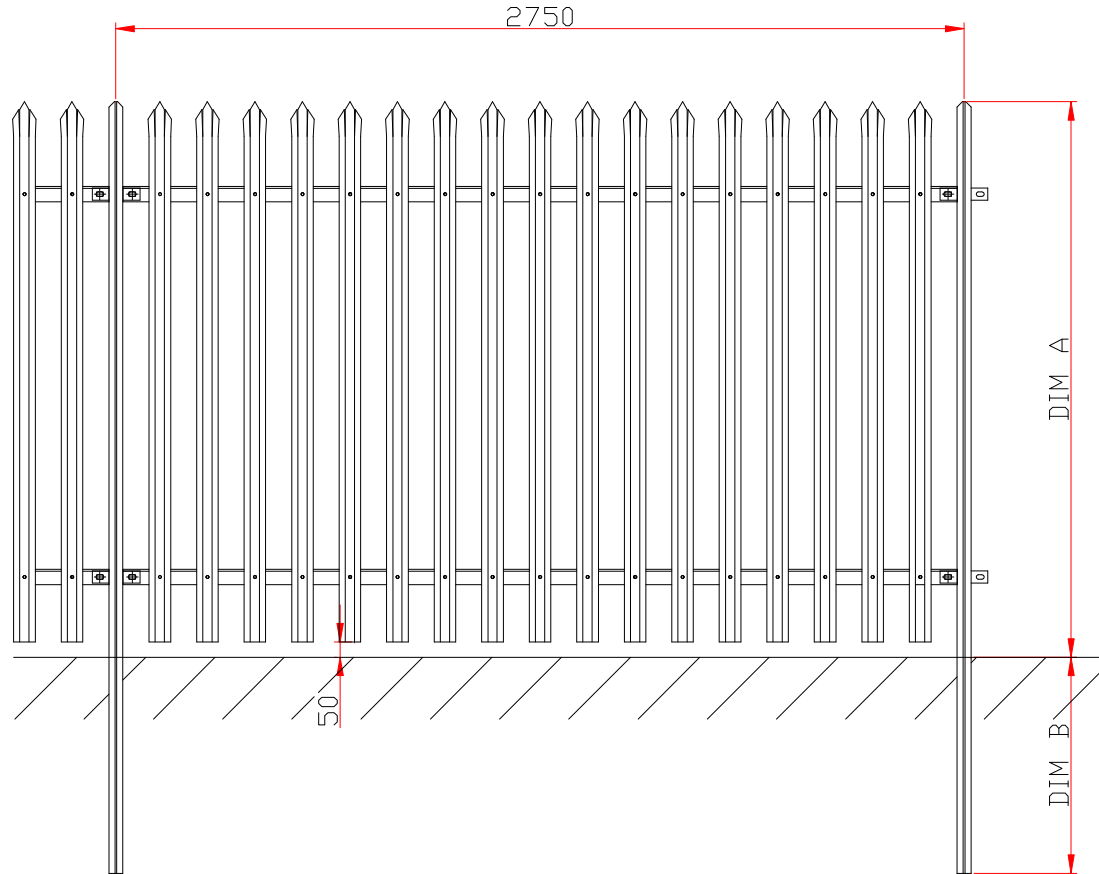




Palisade Fencing Panel

PR-PAL



DIM A	DIM B	POSTS	ANGLES	PALES
900	600	102x44	50x50	"W"&"D"
1200	600	102x44	50x50	"W"&"D"
1500	600	102x44	50x50	"W"&"D"
1800	600	102x44	50x50	"W"&"D"
2400	750	102x44	50x50	"W"&"D"

Procter Fencing Systems.
Ash Lane, Aberford Road,
Garforth
Leeds LS25 2HQ
Tel. 01132 862586 Fax. 01132 867376
Sales@fencingmaterials.co.uk
www.fencingmaterials.co.uk

Procter Fencing Systems.
11. Pantglas Ind Est,
Bedwas
Caerphilly. CF83 8XD
Tel. 02920 855753 Fax. 02920 888 544
Sales@fencingmaterials.co.uk
www.fencingmaterials.co.uk

PR-PAL